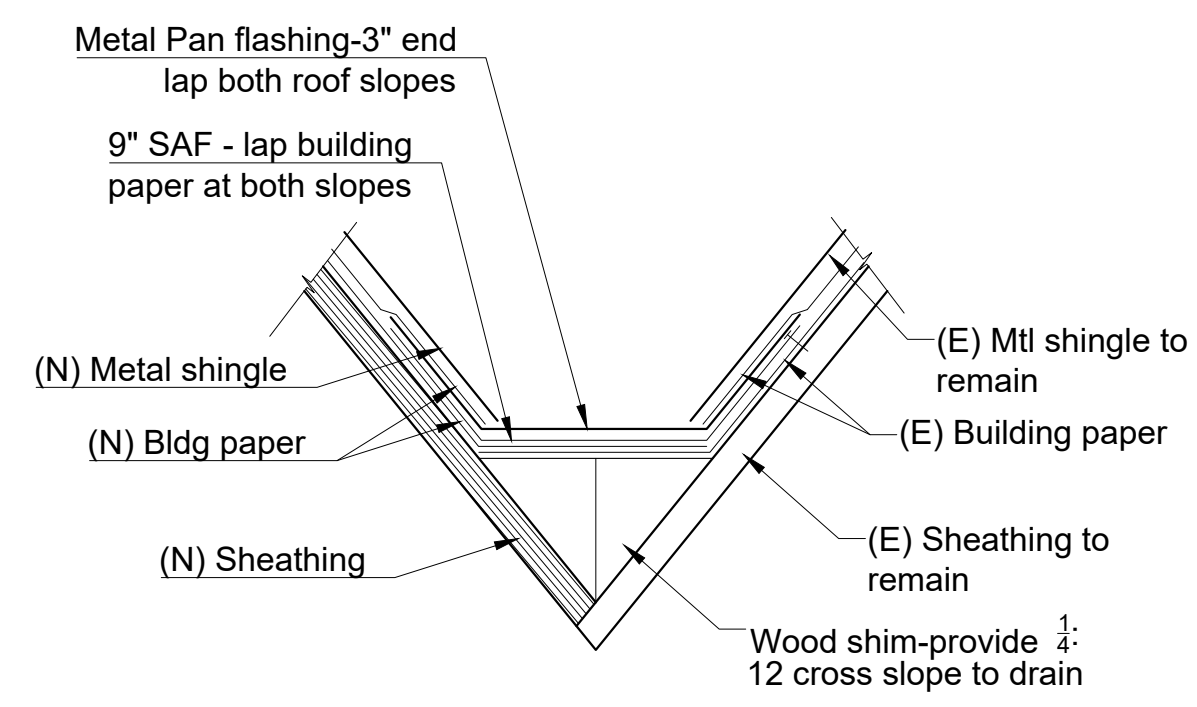
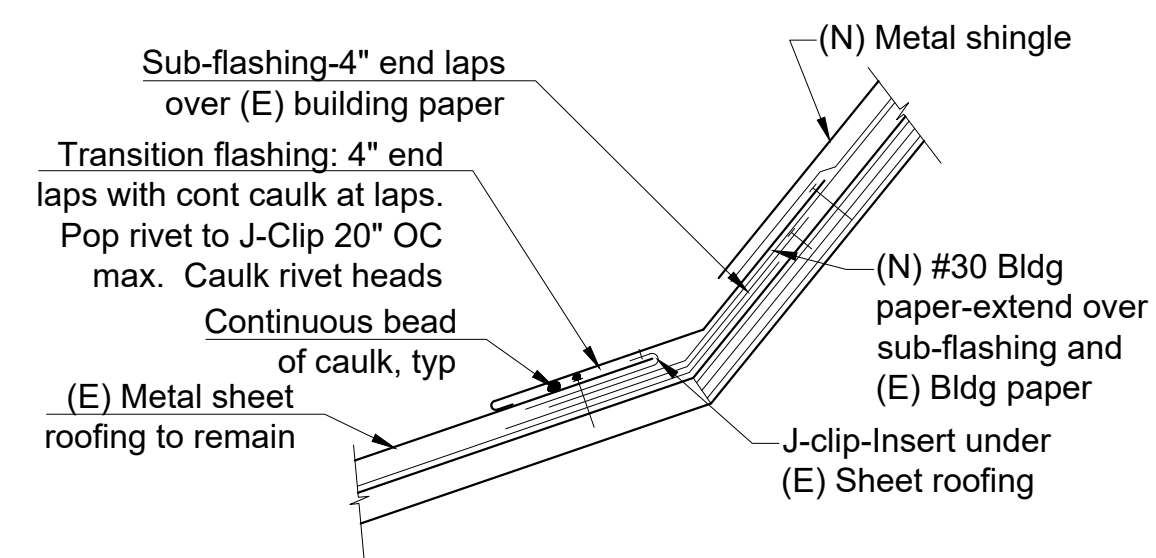




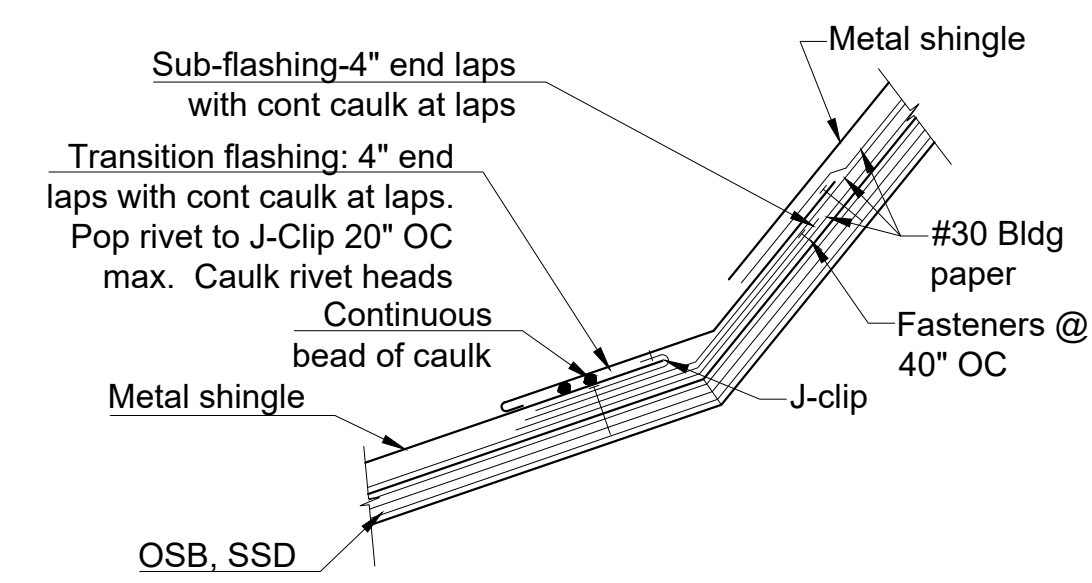
PROJECT INFORMATION:



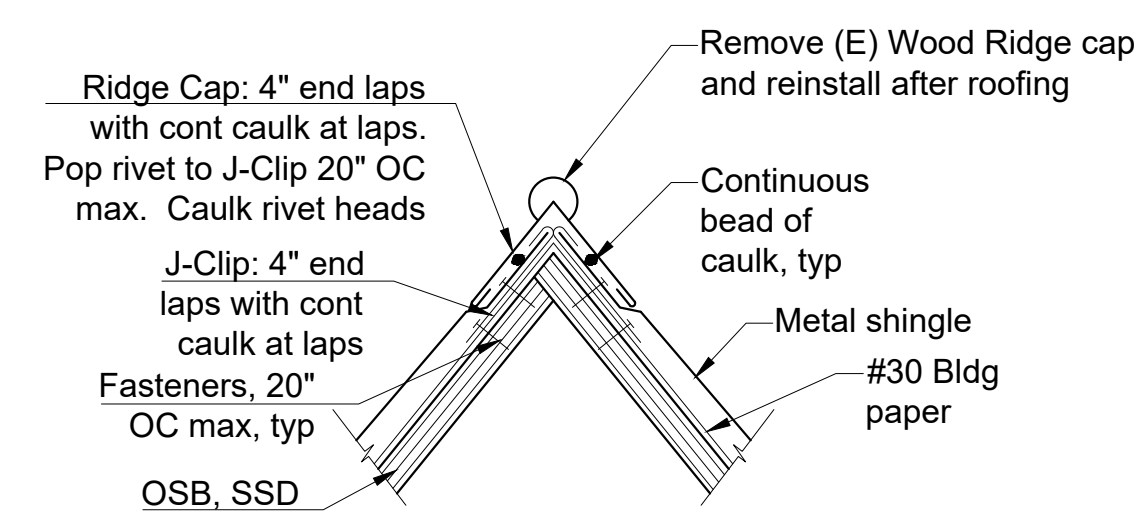
9 Valley - At Steeple
Scale: 3" = 1'-0"



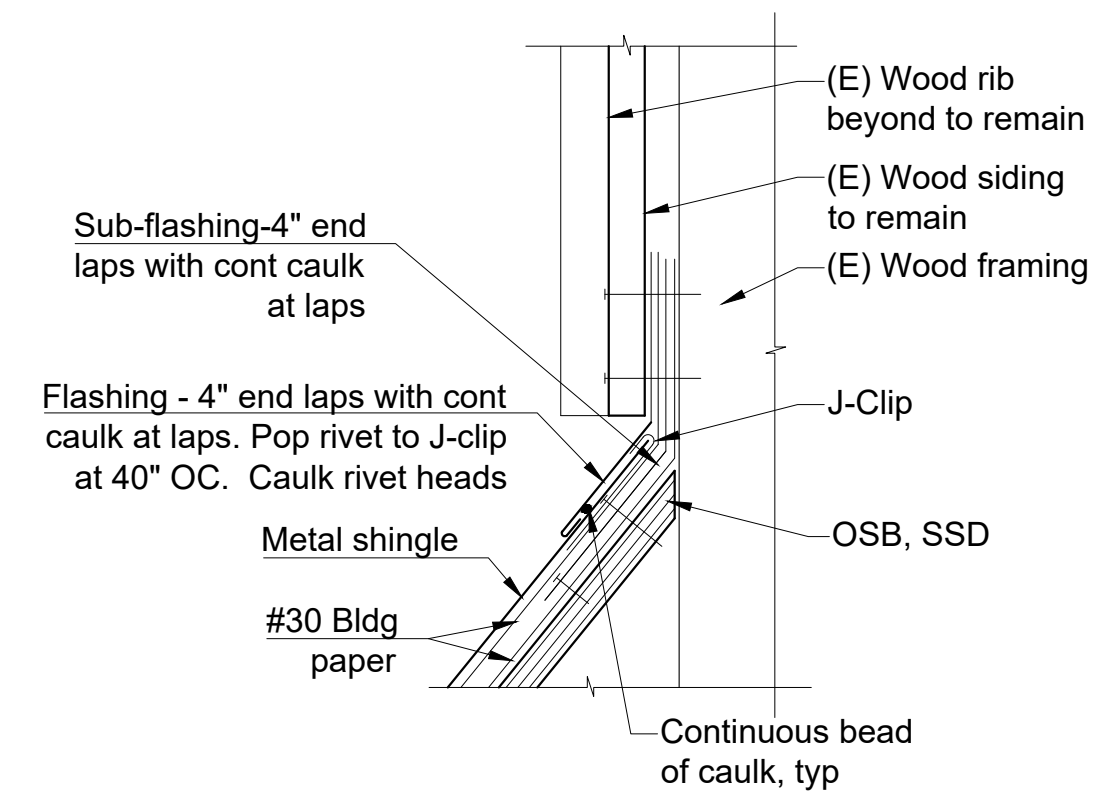
8 Valley - Existing Roofing Below
Scale: 3" = 1'-0"



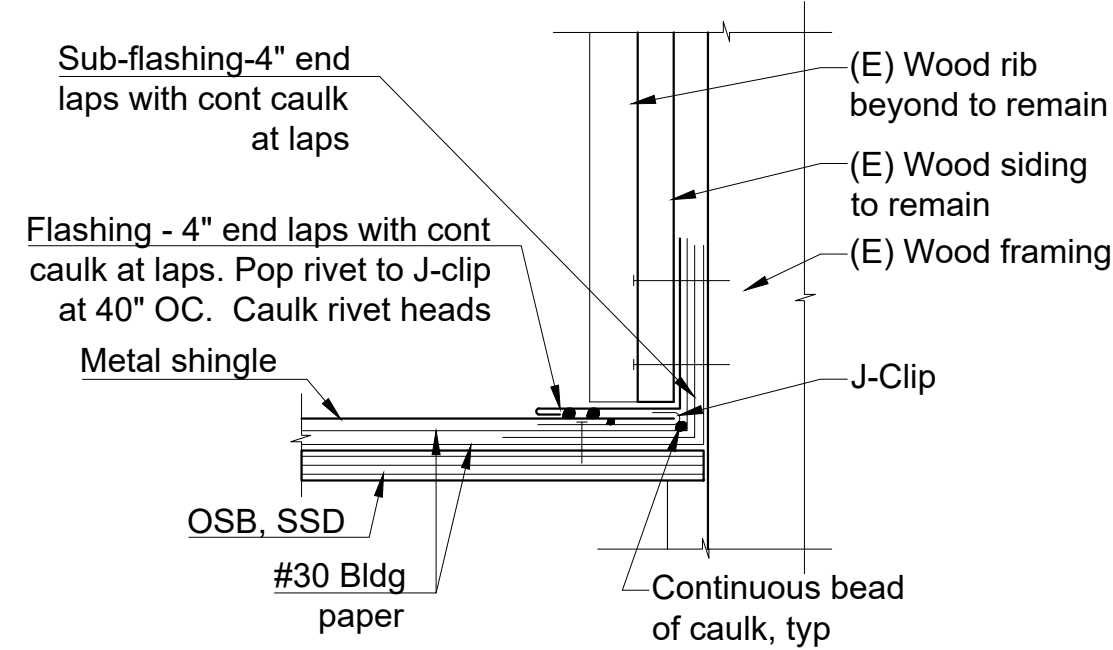
7 Valley at Roof Slope Transition
Scale: 3" = 1'-0"



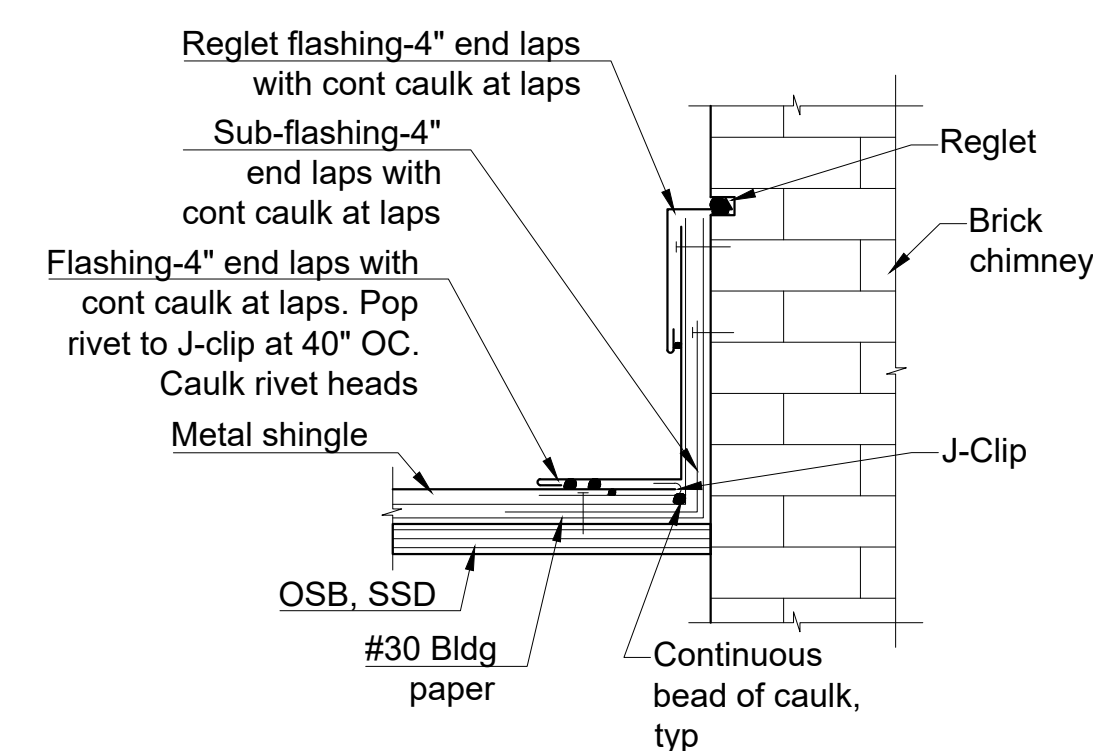
6 Ridge Detail
Scale: 3" = 1'-0"



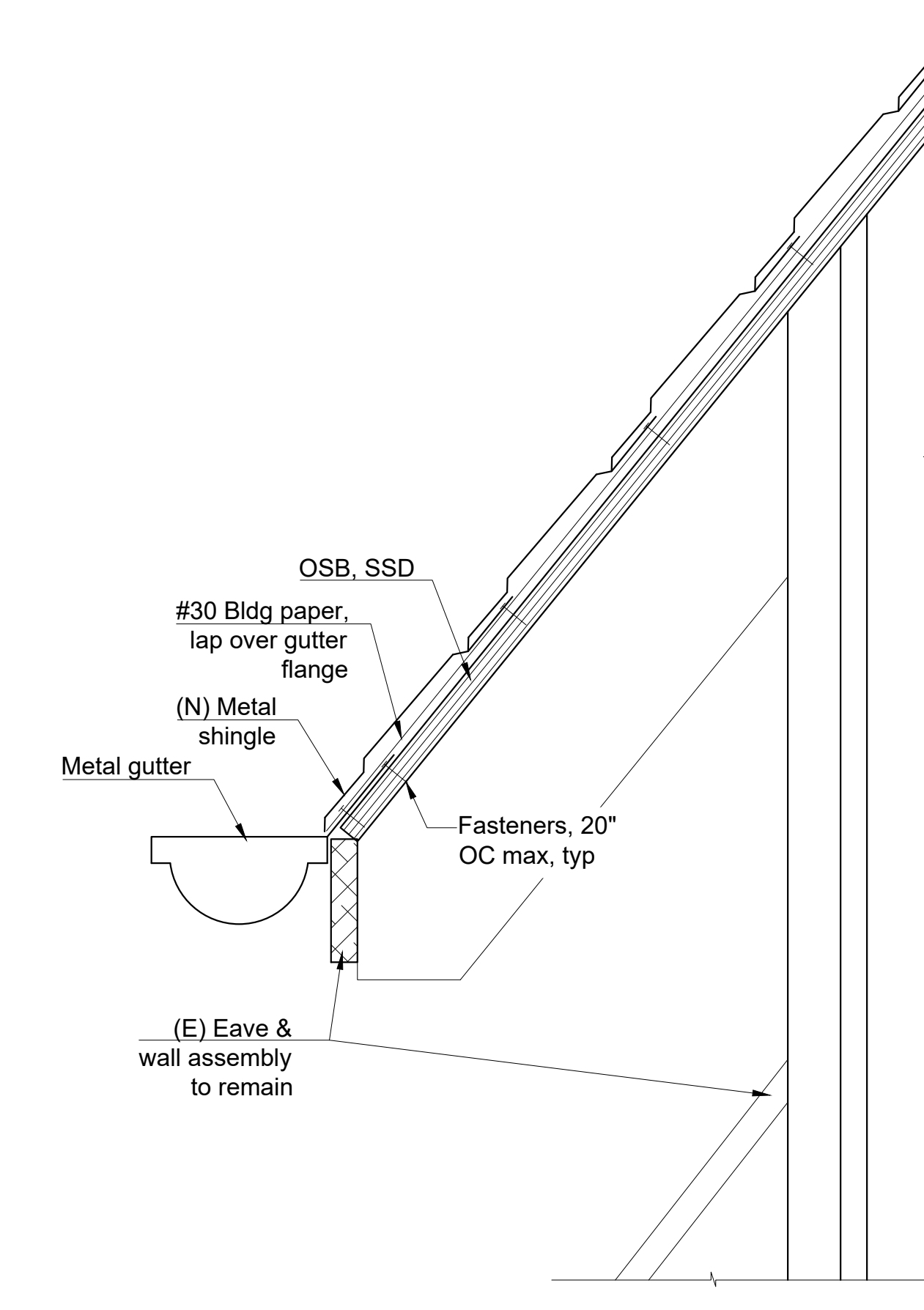
5 Head Wall Detail
Scale: 3" = 1'-0"



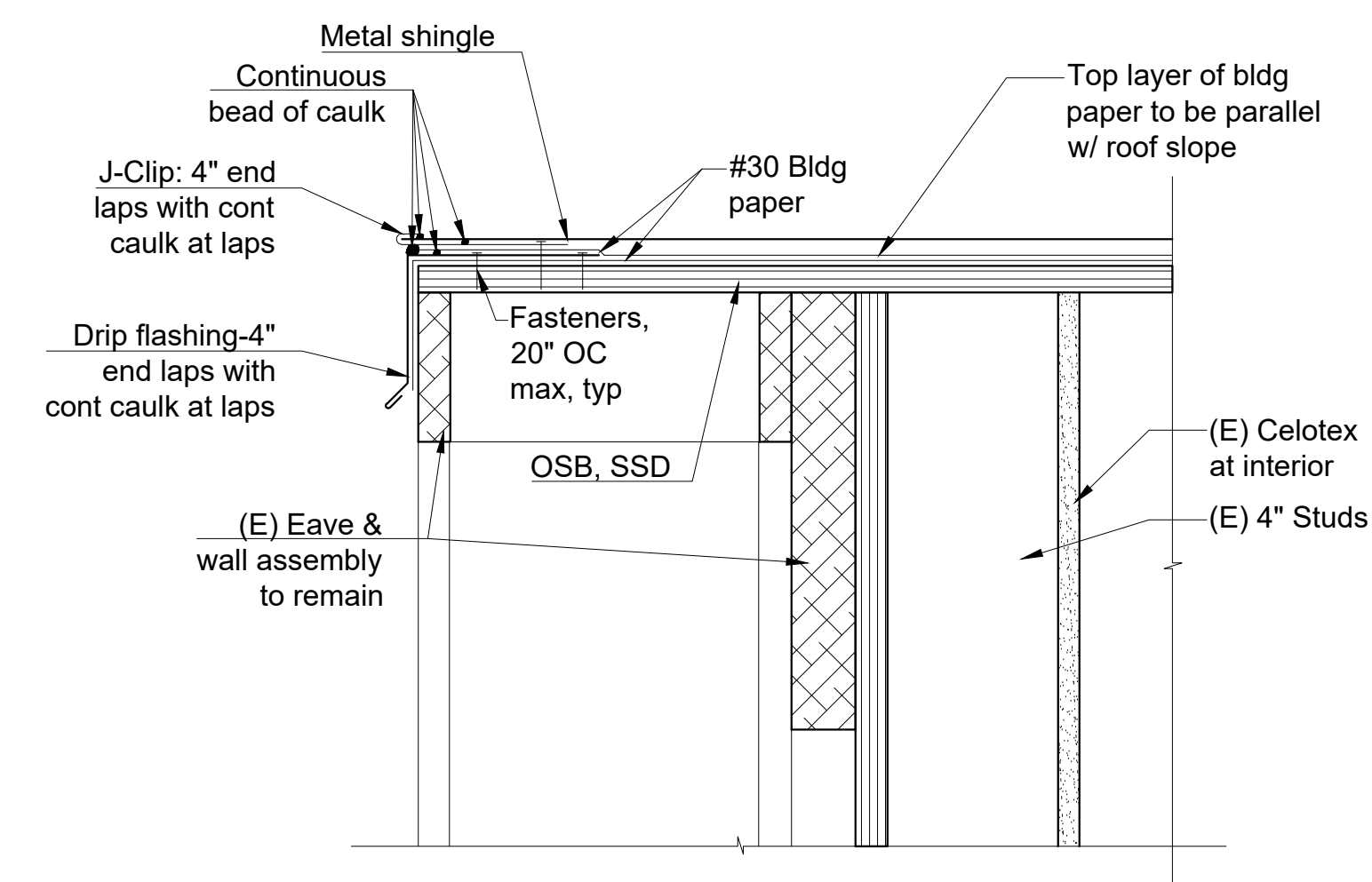
4 Rake Wall at Wood Siding
Scale: 3" = 1'-0"



3 Rake Wall Detail
Scale: 3" = 1'-0"



2 Eave Detail
Scale: 3" = 1'-0"



1 Rake Detail
Scale: 3" = 1'-0"



CHECKED BY: CB / FHK

DATE	DESCRIPTION	REV.
8/27/18	PERMIT SET	
9/11/18	CHECK SET	

SHEET:

DETAILS

A4.0